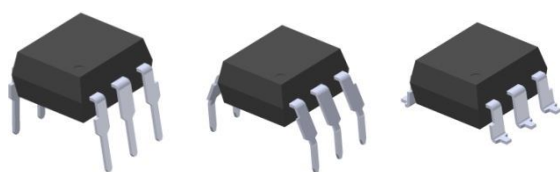


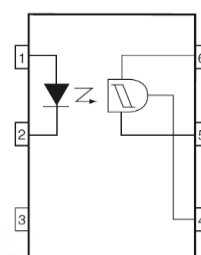
### 6 PIN DIP SCHMITT TRIGGER PHOTOCOUPLER H11LX Series



#### Features:

- High data rate, 1MHz typical (NRZ)
- Free from latch up and oscillation throughout voltage and temperature ranges.
- Microprocessor compatible drive
- Logic compatible output sinks 16mA at 0.4V maximum
- Guaranteed on/off threshold hysteresis
- Wide supply voltage capability, compatible with all popular logic systems
- High isolation voltage between input and output (Viso=5000 V rms )
- Compact dual-in-line package
- The product itself will remain within RoHS compliant version
- Compliance with EU REACH
- UL and cUL approved(No. E214129)
- VDE approved (No. 132249)
- SEMKO approved
- NEMKO approved
- DEMKO approved
- FIMKO approved
- CQC approved

#### Schematic



#### Pin Configuration

1. Anode
2. Cathode
3. No Connection
4. V<sub>O</sub>
5. GND
6. V<sub>CC</sub>

#### Truth Table

| Input | Output |
|-------|--------|
| H     | L      |
| L     | H      |

#### Description

The H11LX series of devices each consist of a GaAs infrared emitting diode optically coupled a high speed integrated circuit detector. The output detector incorporates a Schmitt trigger, which provides hysteresis for noise immunity and pulse shaping.

The devices are in a 6-pin DIP package and available in wide-lead spacing and SMD option.

#### Applications

- Logic to logic isolator
- Programmable current level sensor
- Line receiver – eliminate noise and transient problems
- AC to TTL conversion – square wave shaping
- Digital programming of power supplies
- Interfaces computers with peripherals

**Absolute Maximum Ratings (Ta=25°C)**

|                          | Parameter                     | Symbol    | Rating   | Unit  |
|--------------------------|-------------------------------|-----------|----------|-------|
| Input                    | Forward current               | $I_F$     | 60       | mA    |
|                          | Reverse voltage               | $V_R$     | 6        | V     |
|                          | Power dissipation             | $P_D$     | 120      | mW    |
| Output                   | V <sub>45</sub> Allowed Range | $V_o$     | 0 to 16  | V     |
|                          | V <sub>65</sub> Allowed Range | $V_{CC}$  | 3 to 16  | V     |
|                          | Output Current                | $I_o$     | 50       | mA    |
|                          | Power dissipation             | $P_D$     | 150      | mW    |
| Total power dissipation  |                               | $P_{tot}$ | 250      | mW    |
| Isolation voltage        |                               | $V_{iso}$ | 5000     | V rms |
| Operating temperature    |                               | $T_{opr}$ | -55~+100 | °C    |
| Storage temperature      |                               | $T_{stg}$ | -55~+125 | °C    |
| Soldering temperature *2 |                               | $T_{sol}$ | 260      | °C    |

Notes:

\*1 AC for 1 minute, R.H.= 40 ~ 60% R.H. In this test, pins 1, 2 & 3 are shorted together, and pins 4, 5 & 6 are shorted together.

\*2 For 10 seconds

**Electro-Optical Characteristics (Ta=25°C unless specified otherwise)**

**Input**

| Parameter         | Symbol         | Min. | Typ.* | Max. | Unit | Condition             |
|-------------------|----------------|------|-------|------|------|-----------------------|
| Forward Voltage   | V <sub>F</sub> | -    | 1.15  | 1.5  | V    | I <sub>F</sub> = 10mA |
| Reverse Current   | I <sub>R</sub> | -    | -     | 10   | μA   | V <sub>R</sub> = 5V   |
| Input capacitance | C <sub>J</sub> | -    | -     | 100  | pF   | V=0, f=1MHz           |

**Output**

| Parameter               | Symbol               | Min.             | Typ.* | Max. | Unit | Condition   |
|-------------------------|----------------------|------------------|-------|------|------|---|
| Operation Voltage Range | V <sub>CC</sub>      | 3                | -     | 15   | V    |   |
| Supply Current          | I <sub>CC(off)</sub> | -                | 1.6   | 5    | mA   | I <sub>F</sub> =0mA, V <sub>CC</sub> =5V                  |
| Output Current, High    | I <sub>OH</sub>      | -                | -     | 100  | μA   | I <sub>F</sub> =0mA, V <sub>CC</sub> =V <sub>O</sub> =15V |
| Isolation Resistance    | R <sub>ISO</sub>     | 10 <sup>11</sup> | -     | -    | Ω    | V <sub>I-O</sub> =500VDC                                  |

**Transfer Characteristics**

| Parameter                              | Symbol                               | Min | Typ. | Max. | Unit | Condition  |
|--|--------------------------------------|-----|------|------|------|--|
| Supply Current                         | I <sub>CC(on)</sub>                  | -   | 1.6  | 5    | mA   | I <sub>F</sub> =10mA, V <sub>CC</sub> =5V  |
| Output Voltage .low                    | V <sub>OL</sub>                      | -   | -    | 0.4  | V    | V <sub>CC</sub> =5V, I <sub>F</sub> =I <sub>Fon</sub> (max.), R <sub>L</sub> =270Ω |
| Turn on Threshold Current <sup>1</sup> | H11L1                                | -   | -    | 1.6  | mA   | V <sub>CC</sub> =5V, R <sub>L</sub> =270Ω  |
|  | H11L2                                | -   | -    | 10   |      |  |
|  | H11L3                                | -   | -    | 5    |      |  |
| Turn off Threshold Current             | I <sub>Foff</sub>                    | -   | 1    | -    | mA   | V <sub>CC</sub> =5V, R <sub>L</sub> =270Ω  |
| Hysteresis Ratio                       | I <sub>Foff</sub> / I <sub>Fon</sub> | 0.5 | -    | 0.9  |      | V <sub>CC</sub> =5V, R <sub>L</sub> =270Ω  |
| Turn on Time                           | t <sub>on</sub>                      | -   | -    | 4    | μS   |  |
| Fall Time                              | t <sub>r</sub>                       | -   | 0.1  | -    | μS   | V <sub>CC</sub> =5V, I <sub>F</sub> =I <sub>Fon</sub> , R <sub>L</sub> =270Ω       |
| Turn off Time                          | t <sub>off</sub>                     | -   | -    | 4    | μS   |  |
| Rise Time                              | t <sub>r</sub>                       | -   | 0.1  | -    | μS   |  |
| Data Rate                              |                                      | -   | 1    | -    | MHz  |  |

\* Typical values at T<sub>a</sub> = 25°C

<sup>1</sup>. Max. I<sub>F(ON)</sub> is the maximum current required to trigger the output. For examples, a 1.6mA maximum trigger current would require the LED to be driven at a current greater than 1.6mA to guarantee the device will turn on. A 10% guard band is recommended to account for degradation of the LED over its lifetime. The maximum allowable LED drive current is 60mA.

Typical Electro-Optical Characteristics Curves

Figure 1. Forward Current vs Forward Voltage

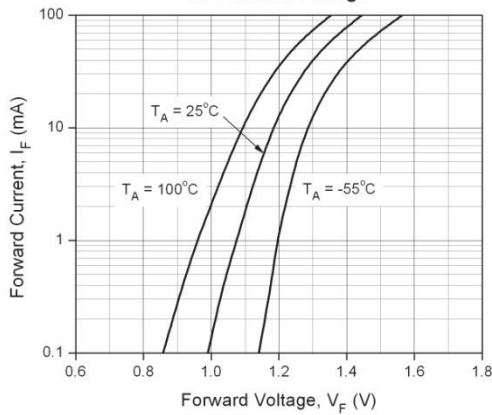


Figure 2. Transfer Characteristics

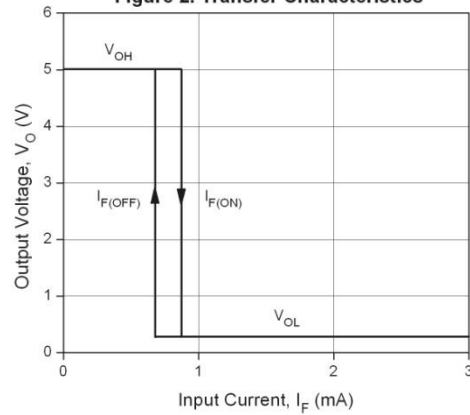


Figure 3. Turn On Threshold Current vs Supply Voltage

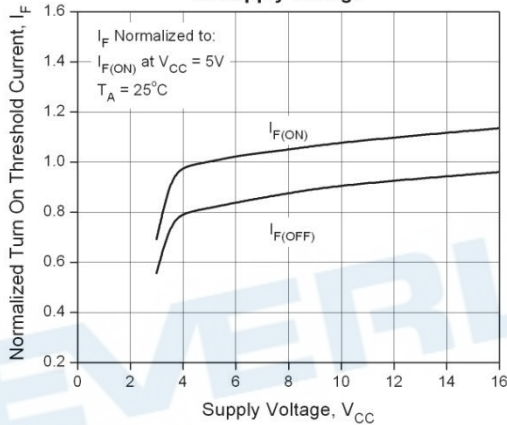


Figure 4. Turn On Threshold Current vs Ambient Temperature

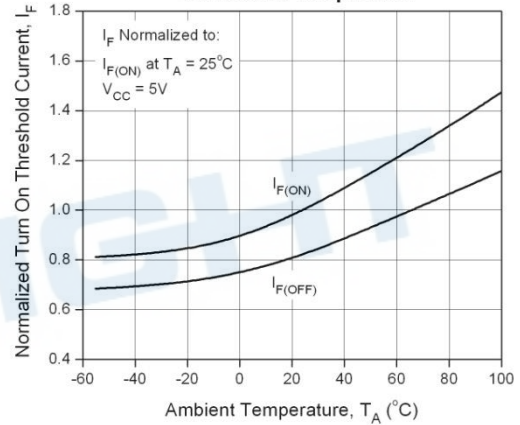


Figure 5. Low Level Output Voltage vs Load Current

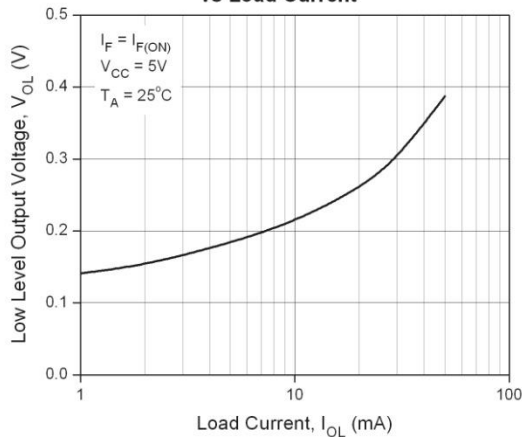
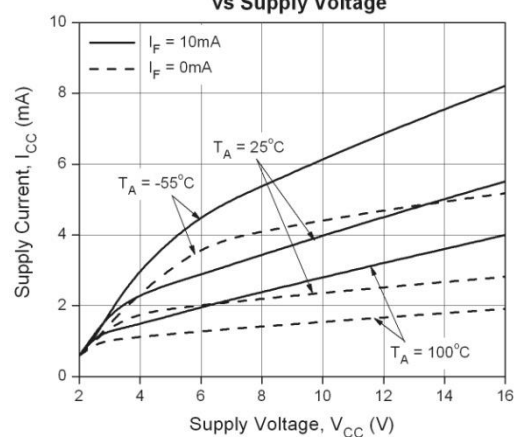


Figure 6. Supply Current vs Supply Voltage



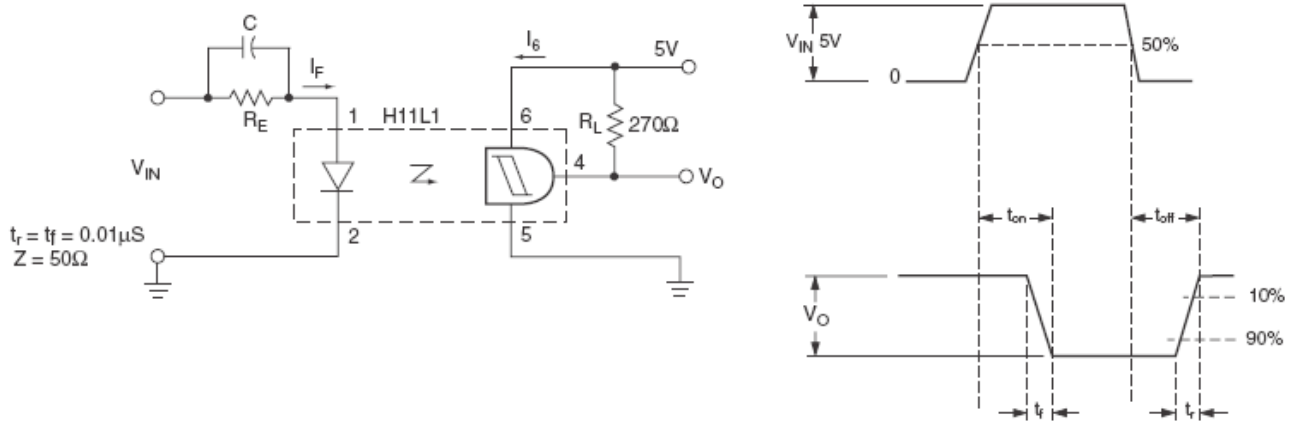


Figure 7. Switching Time Test Circuit & Waveforms

## Order Information

### Part Number

**H11LXY(Z)-V**

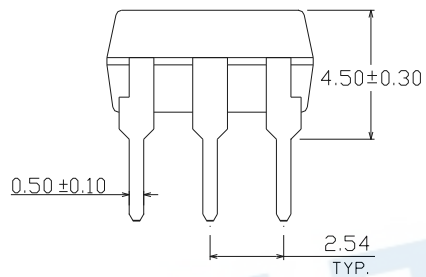
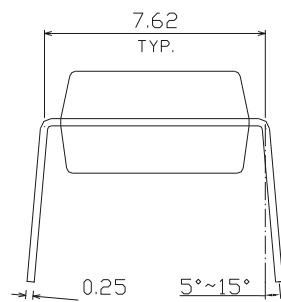
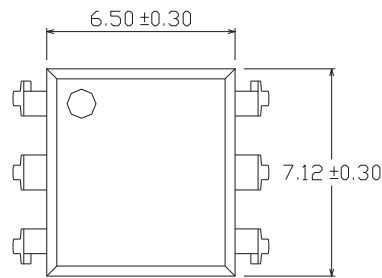
#### Note

- X = Part No. for 1, 2 or 3
- Y = Lead form option (S, S1, M or none)
- Z = Tape and reel option (TA, TB or none).
- V = VDE (optional)

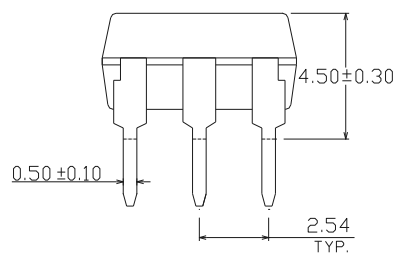
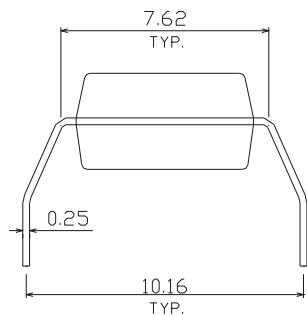
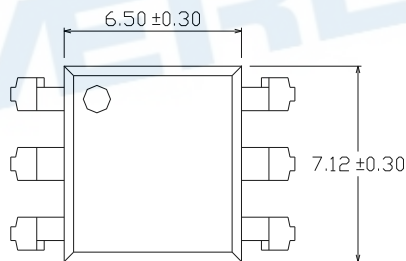
| Option  | Description   | Packing quantity    |
|---------|---|---------------------|
| None    | Standard DIP-6  | 65 units per tube   |
| M       | Wide lead bend (0.4 inch spacing)                             | 65 units per tube   |
| S + TA  | Surface mount lead form + TA tape & reel option               | 1000 units per reel |
| S + TB  | Surface mount lead form + TB tape & reel option               | 1000 units per reel |
| S1 + TA | Surface mount lead form (low profile) + TA tape & reel option | 1000 units per reel |
| S1 + TB | Surface mount lead form (low profile) + TB tape & reel option | 1000 units per reel |

Package Dimension (Dimensions in mm)

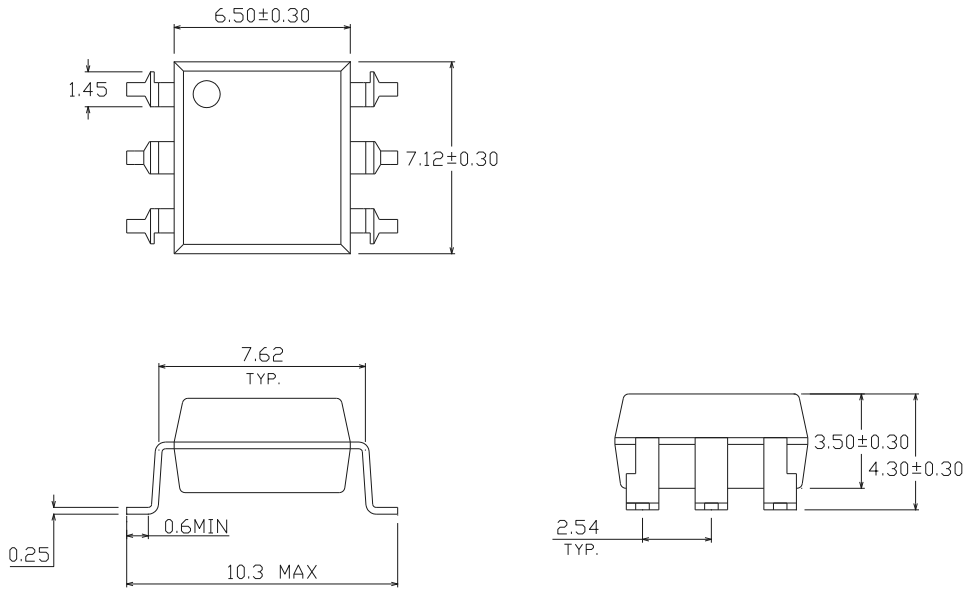
Standard DIP Type



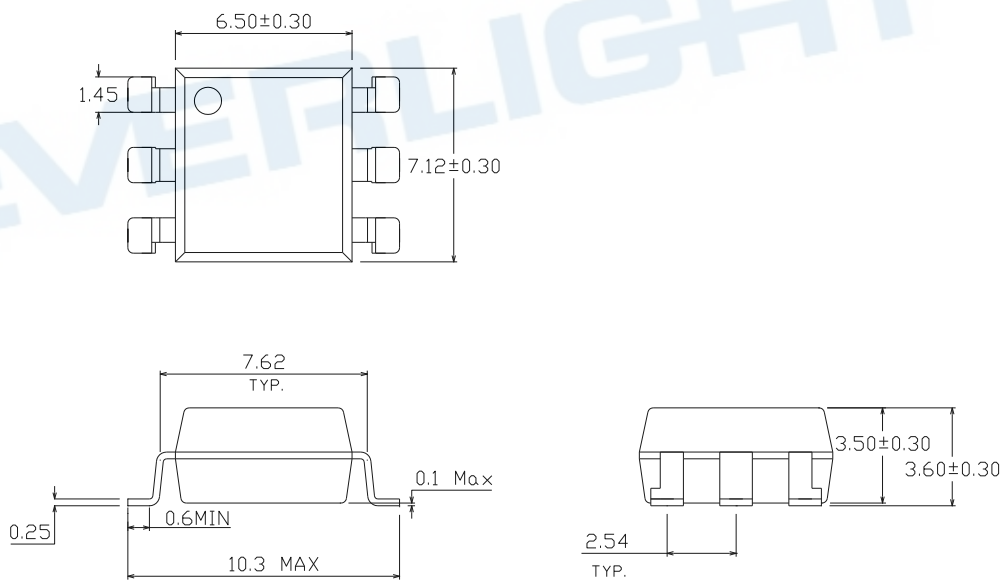
Option M Type



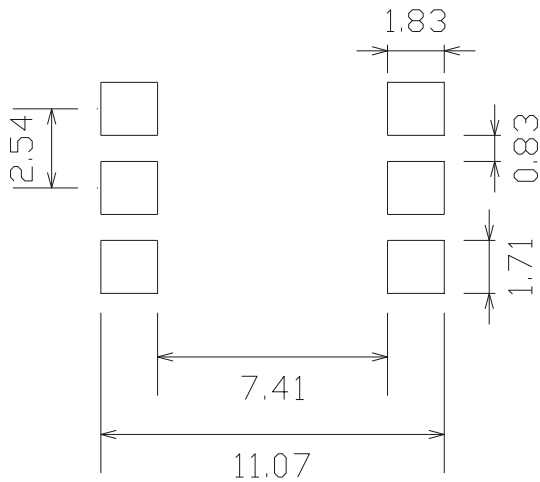
Option S Type



Option S1 Type



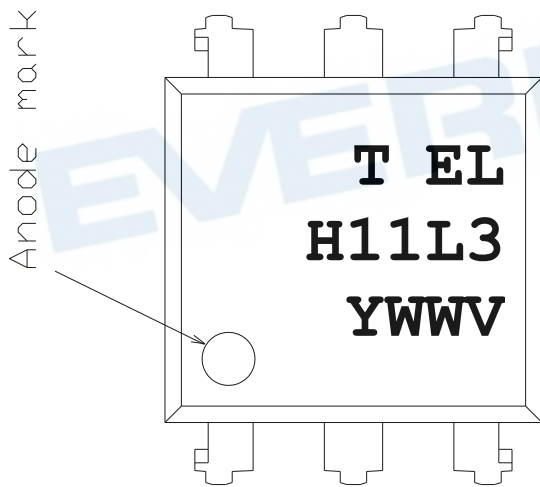
Recommended pad layout for surface mount leadform



Notes

Suggested pad dimension is just for reference only.  
Please modify the pad dimension based on individual need.

Device Marking



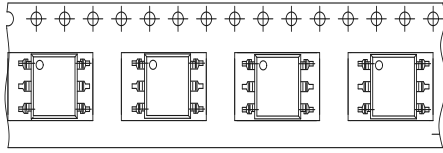
Notes

- T denotes Factory  
No code : made in China  
T : made in Taiwan
- EL denotes Everlight
- H11L3 denotes Device Number
- Y denotes 1 digit Year code
- WW denotes 2 digit Week code
- V denotes VDE (optional)

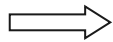


**Tape & Reel Packing Specifications**

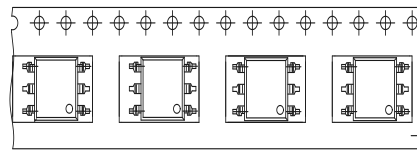
**Option TA**



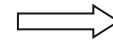
Direction of feed from reel



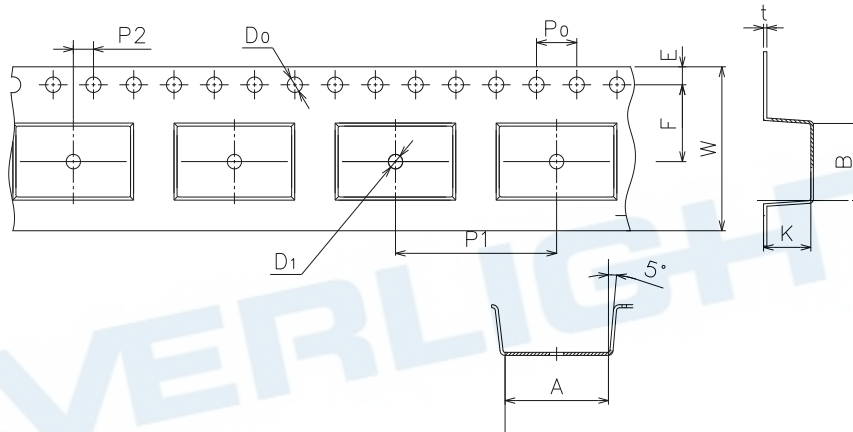
**Option TB**



Direction of feed from reel



**Tape dimensions**

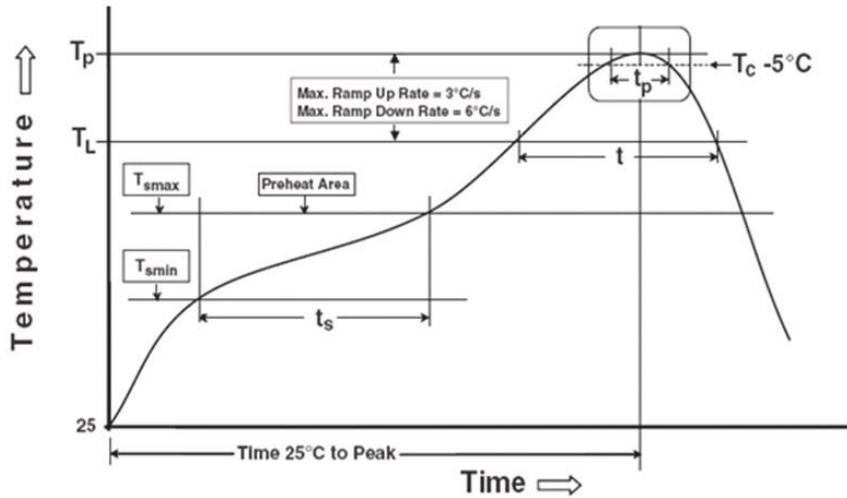


|               |           |           |           |            |          |          |
|---------------|-----------|-----------|-----------|------------|----------|----------|
| Dimension No. | <b>A</b>  | <b>B</b>  | <b>Do</b> | <b>D1</b>  | <b>E</b> | <b>F</b> |
| Dimension(mm) | 10.8±0.1  | 7.55±0.1  | 1.5±0.1   | 1.5+0.1/-0 | 1.75±0.1 | 7.5±0.1  |
| Dimension No. | <b>Po</b> | <b>P1</b> | <b>P2</b> | <b>t</b>   | <b>W</b> | <b>K</b> |
| Dimension(mm) | 4.0±0.15  | 12±0.1    | 2.0±0.1   | 0.35±0.03  | 16.0±0.2 | 4.5±0.1  |

## Precautions for Use

### 1. Soldering Condition

#### 1.1 (A) Maximum Body Case Temperature Profile for evaluation of Reflow Profile



Note:

Reference: IPC/JEDEC J-STD-020D

#### Preheat

|  |                 |
|--|-----------------|
| Temperature min ( $T_{smin}$ )               | 150 °C          |
| Temperature max ( $T_{smax}$ )               | 200°C           |
| Time ( $T_{smin}$ to $T_{smax}$ ) ( $t_s$ )  | 60-120 seconds  |
| Average ramp-up rate ( $T_{smax}$ to $T_p$ ) | 3 °C/second max |

#### Other

|  |                  |
|--|------------------|
| Liquidus Temperature ( $T_L$ )                                       | 217 °C           |
| Time above Liquidus Temperature ( $t_L$ )                            | 60-100 sec       |
| Peak Temperature ( $T_P$ )   | 260°C            |
| Time within 5 °C of Actual Peak Temperature: $T_P - 5^\circ\text{C}$ | 30 s             |
| Ramp- Down Rate from Peak Temperature                                | 6°C /second max. |
| Time 25°C to peak temperature  | 8 minutes max.   |
| Reflow times   | 3 times          |

## DISCLAIMER

1. Above specification may be changed without notice. EVERLIGHT will reserve authority on material change for above specification.
2. The graphs shown in this datasheet are representing typical data only and do not show guaranteed values.
3. When using this product, please observe the absolute maximum ratings and the instructions for use outlined in these specification sheets. EVERLIGHT assumes no responsibility for any damage resulting from use of the product which does not comply with the absolute maximum ratings and the instructions included in these specification sheets.
4. These specification sheets include materials protected under copyright of EVERLIGHT. Reproduction in any form is prohibited without the specific consent of EVERLIGHT.
5. This product is not intended to be used for military, aircraft, automotive, medical, life sustaining or life saving applications or any other application which can result in human injury or death. Please contact authorized Everlight sales agent for special application request.
6. Statements regarding the suitability of products for certain types of applications are based on Everlight's knowledge of typical requirements that are often placed on Everlight products in generic applications. Such statements are not binding statements about the suitability of products for a particular application. It is the customer's responsibility to validate that a particular product with the properties described in the product specification is suitable for use in a particular application. Parameters provided in datasheets and/or specifications may vary in different applications and performance may vary over time. All operating parameters, including typical parameters, must be validated for each customer application by the customer's technical experts. Product specifications do not expand or otherwise modify Everlight's terms and conditions of purchase, including but not limited to the warranty expressed therein.