

CE21550x-Series – Isolate Dual Channel Gate Driver (capacitive)

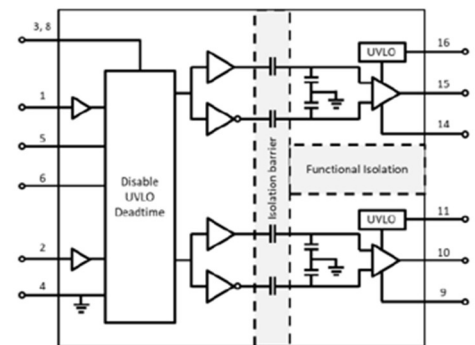
The CE21550X has a source peak current of 4A and a sink peak current of 8A. The maximum switching frequency can reach 5MHz. It is suitable for gate driver of MOSFET, IGBT and SiC MOSFET.

Every driver can be configured as two low side drivers, two high side drivers, or a half bridge driver with programmable dead time (DT). A DISABLE pin shuts down both outputs simultaneously when it is set high and allows normal operation when left open or grounded. As a fail safe measure, primary side logic failures force both outputs low.



Features:

- Universal: Dual Low-Side, Dual High-Side
- High Common mode transient immunity (CMTI = 100kV/us)
- TTL & CMOS compatible
- Operating Temperature: -45°C to +125°C
- Up to 25V VDD Output Drive Supply
- 3V to 5,5V Input VCCI Range to Interface with Digital and Analog Controllers
- Fast Disable for Power Sequencing
- Pb-Free, RoHs compliant
- Compliant to EU REACH



Applications:

- HEV and BEV Battery Charger
- Isolated Converters in DC-DC and AC-DC Power Supplies
- Server, Telecom, IT and Industrial Infrastructures
- Motor Drive and DC-AC Solar Inverters
- LED Lighting
- Inductive Heating
- Uninterruptible Power Supply (UPS)

For more information please visit www.everlighteurope.com or contact your Everlight Sales Contact.